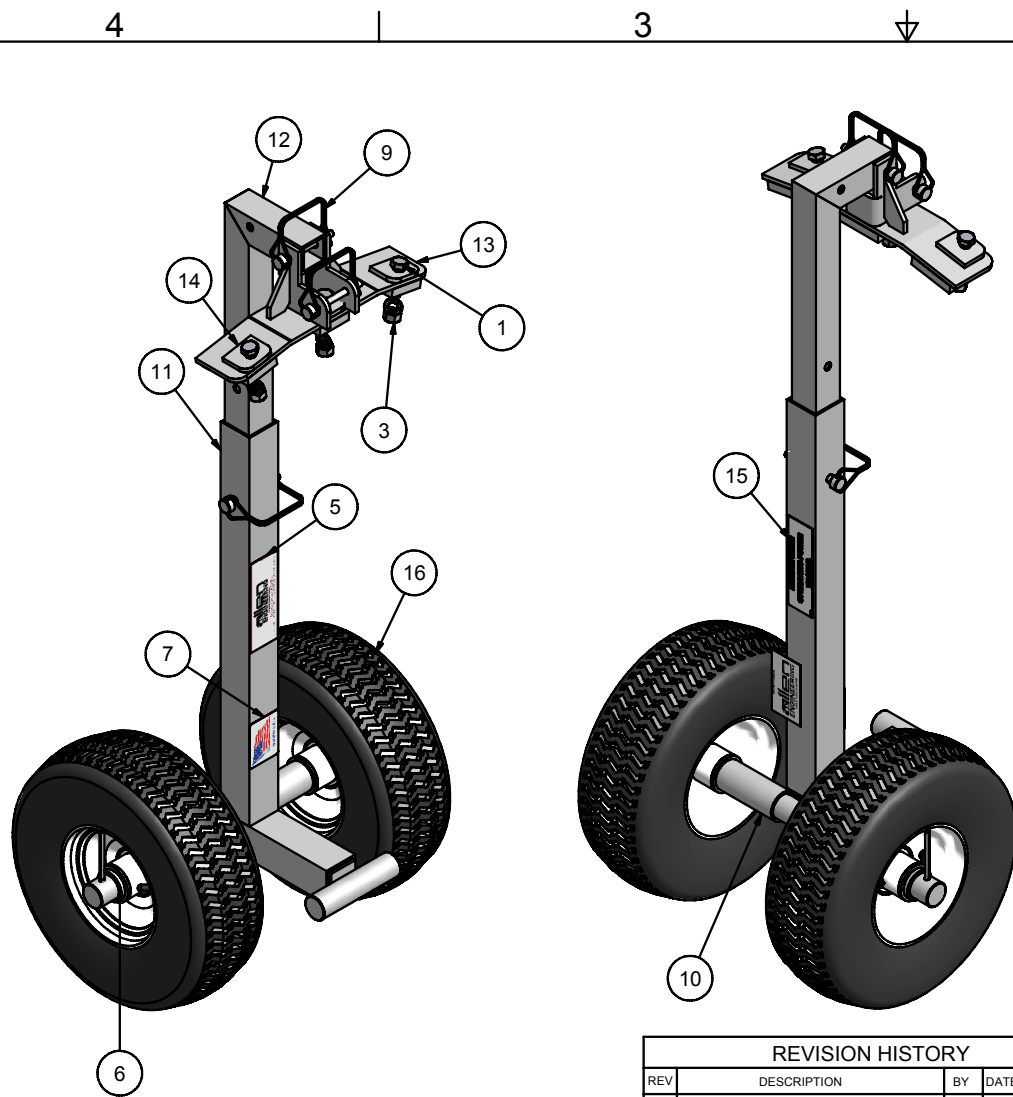


040349

B

A

A



2 1 PARTS LIST

ITEM	PART NO	DESCRIPTION	QTY	U/M
1	010037	FSTN, HHCS 3/8-16 X 1-1/4 GR 5	3	EA
2	010091	WSHR, Ø3/8 ID Z-STL SPLIT LOCK	3	EA
3	010102	FSTN, NUT HEX 3/8-16	3	EA
4	010133	PIN, Ø3/16 X 2 ZP STL COTTER	2	EA
5	017970	DECAL, AEC 1-1/2 x 4 RED/BLK	1	EA
6	021136	SPACER, DIAMOND HEADED GRINDER	2	EA
7	032896	DECAL, "MADE IN USA"	1	EA
8	034017	DECAL, AEC PATENT PENDING	1	EA
9	035372	LOCKING PIN, CLIP ON BLADES	3	EA
10	040341	SPACER F/ AXLE	2	EA
11	040346	LOWER ADJUSTMENT WELDMENT	1	EA
12	040347	UPPER SLIDE WELDMENT	1	EA
13	040458	WELDMENT, DOLLY JACK CLAMP 436 RING	1	EA
14	040563	BRACKET CLAMP, F/WB TRANSPORTER	3	EA
15	040715	DECAL, WARNING REMOVE	1	EA
16	099014	ASSY, 410/350 X 4 PNEU WHEEL	2	EA

B


A

A

040349

REVISION HISTORY					
REV	DESCRIPTION	BY	DATE	CHKD	DATE
1	ADDED 040458 TO BOM; REMOVED #11 PER CG ECR# 01-078	BS	3/29/01		
A	ADDED 040563 TO BOM; REDRAWN IN INVENTOR PER JRL ECR# 05-109	JMH	10/24/05	JRL	10/24/05

CONFIDENTIAL: INFORMATION CONTAINED HEREIN IS THE CONFIDENTIAL PROPERTY OF ALLEN ENGINEERING CORPORATION AND MUST NOT BE DISCLOSED WITHOUT PERMISSION. PRINTS ARE SUBJECT TO RECALL AND MUST BE RELEASED UPON DEMAND.



allen.
ENGINEERING CORPORATION
P.O. BOX 819
PARAGOULD, AR 72451

TITLE: WALKER WHEEL, TRANSPORT SYSTEM WALK BEHIND

MATERIAL: SEE BOM

1-PLACE DEC: _____ ANLR: _____ MACHINE SURFACE TEXTURE

2-PLACE DEC: _____ FRAC: 1/32

3-PLACE DEC: _____ DATE

UNLESS OTHERWISE SPECIFIED

DRAWN BY: BS 3/32/01

PROJECT NUMBER: 1605

PART NUMBER: **B** 040349

CHECKED BY: _____

SCALE: 1=4

NEXT ASSEMBLY: N/A

REV'D: 1

WEIGHT: _____

LF/SF: _____

REVISION: A

4

3

2

1